

SINGER
402W100

Form 3050w

(151)

Printed in U. S. A.

HISTORICAL COPY
DO NOT REMOVE

LIST OF PARTS



From the library of: Diamond Needle Corp

MACHINE No. 402w100

** A TRADE MARK OF

THE SINGER MANUFACTURING COMPANY

INSTRUCTIONS FOR OILING

BEFORE STARTING THE MACHINE, fill reservoir in base to "high" mark. Inspect often enough to keep oil level from going below "low" mark in base.

To ensure easy running and prevent unnecessary wear of the parts which are in movable contact, the machine requires oiling and when in continuous use, "TYPE A" or "TYPE C" OIL, sold only by Singer Sewing Machine Company, should be applied at the beginning of each working day to all oil holes marked "OIL", as instructed in Form 3034w.

"TYPE C" OIL is stainless.

INDEX

	PAGE
ACCESSORIES	12
BELT GUARD	13
BOBBIN HOLDER	14
BOBBIN WINDERS	12 & 14
FINGER GUARD	14
KNEE LIFTER	13
MACHINE No. 402w100	5
MISCELLANEOUS PARTS	15
NUMERICAL LIST OF PARTS	17
SPOOL PIN	14
THREAD UNWINDER	15

From the library of: Diamond Needle Corp

INSTRUCTIONS FOR ORDERING

In ordering from this list, use **ONLY** the **PART** number in the **FIRST** column.

The number stamped on a Sewing Machine Part is the number of the Single Part only, except when the part includes Set Screws, Clamping Screws, Studs and Rollers Spun on, Small Wires riveted, or Parts soldered together, etc., which it is necessary to furnish in combination.

Every combination of parts sent out has its specific number which, although not stamped on Parts (except in above case), must be used when ordering the combination.

Each number always indicates the **SAME PART** in whatever list it appears, or for whatever Machine.

The letters after some of the numbers indicate the style of finish only, as follows:

- A. Hardened, Polished, Nickel Plated and Buffed.
- B. Polished, Nickel Plated and Buffed.
- C. Hardened only.
- D. Polished only.
- E. Soft, not polished.
- F. Hardened and Polished.
- H. Blued.
- J. Nickel Plated only.
- R. Merlized.
- X. Black Oxide, for Iron and Steel.
- XC. Hardened and Black Oxide, for Iron or Steel.
- Y. Black Nickel Plated only.

These letters **MUST BE USED** when they appear in the list and **AFTER** the number, as in the list.

In this series

1 to 1500, 200001 to 201500 and 350001 to 351500 are Screw Numbers.
 1501 to 1800, 201501 to 201800 and 351501 to 351800 are Nut Numbers.
 1801 to 2000, 201801 to 202000 and 351801 to 352000 are Roller Numbers.
 2001 to 50000 and 202001 to 350000 are Numbers of Machine Parts.

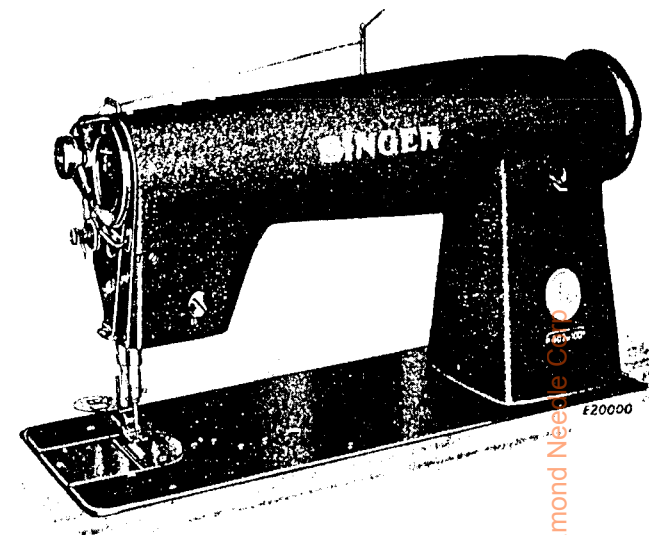
The figures in the second column refer only to the plate in which the illustration of the part is shown and are **NOT TO BE USED** in ordering.

Two or more numbers over a cut indicate that the difference between such parts is not visible in an illustration.

Parts marked with an asterisk (*) are furnished only when repairs are made at the factory.

LIST OF PARTS COMPLETE

FOR



MACHINE No. 402w100

HIGH SPEED. LONG ARM.

DOUBLE ROTARY DISC TAKE-UP.

SINGLE NEEDLE. LOCK STITCH. COMPOUND FEED.

MAXIMUM STITCH 4 TO THE INCH.

FOR STITCHING WORK SHIRTS, OVERALLS,

RAINCOATS AND CLOTHING GENERALLY.

No.	Plate	Arm	Name
*275001	-----		
270002	18562	"	Cover Plate (back)
200041X	18562	" " "	" Screw (2)
267003	18562	" " "	(side)
200161H	18562	" " "	" Screw (2)
350525X	18562	"	Oil Stop Screw
267004	18562	" " " "	Gasket
204235	18562	"	Position Pin (2)
200004E	18562	"	Screw (3)
202005	18562	"	Washer (3)
*275023	18556	"	Shaft
275002	18556	" "	275023 with 200333C, 200362C, 270005, 270268 and 275015
270004	18556		Arm Shaft Ball Bearing (back)

No.	Plate	Name
270005	18556	Arm Shaft Ball Bearing (front)
275003	18556	" " Connection Belt (reinforced neoprene)
270168	18556	Arm Shaft Connection Belt Pulley and Rotary Take-up Driving Pulley with 200363AL, 350492C and three 214206
350492C	18556	Arm Shaft Connection Belt Pulley Position Screw
200363AL	18556	Arm Shaft Connection Belt Pulley Set Screw
214206	18556	" " " " Spring Flange
270189	18556	Balance Wheel (aluminum alloy casting) for 5/16" round belt, (diam. of belt groove 1-13/16 in.) (rim diam. 4 in.) with 201346C and 350107C
270190	18556	Balance Wheel 270189 with 270004
270170	18556	" " (aluminum alloy casting) for "V" belt, (outside diam. of belt groove 2.9 in.) (rim diam. 4-1/2 in.) with 350540C and 350541C
270171	18556	Balance Wheel 270170 with 270004
Note:	Balance	Wheel 270171 is furnished with this machine unless otherwise specified on order.
350107C	18556	Balance Wheel Position Screw
350540C	18556	" " " " Screw
201346C	18556	" " Set Screw
350541C	18556	" " " " Screw
*275021	----	Bed
270009	18562	" Slide
275004	18563	Face Plate
350503H	18563	" " Screw (4)
143030	18557	Feed Bar
270012	18557	" " Center (2)
200394C	18557	" " " " Set Screw
235706	18557	" " Oiling Wick
270138	18557	" " " " Holder
270139	18557	" " " " " 270138 with 235706
52266	18557	Feed Bar Slide Block
52267	18557	" " " " 52266 with 125060
*125060	18557	" " " " Stud
275005	18564	" Dog, 40 needle hole, for 275018
50117E	18564	" " Screw (2)
275011	18557	" Driving Connection
275012	18557	" " " 275011 with 268063
275040	18557	" " " " Crank with 200040E
200040E	18557	" " " " " Pinch Screw
200545C	18557	" " " " Hinge Screw
201522E	18557	" " " " " " Nut
268063	18557	" " " " Needle Bearing
268064	18558	" " " " Eccentric
275036	18558	" " " " Adjusting Disc
268066	18558	" " " " " " Spring
268067	18558	" " " " " " "
		Collar with two 200382C
200382C	18558	Feed Driving Eccentric Adjusting Disc Spring Collar Set Screw

No.	Plate	Name
350543C	18558	Feed Driving Eccentric Friction Adjusting Screw
350101AL	18558	Feed Driving Eccentric Friction Adjusting Screw Set Screw
275043	18558	Feed Driving Flange with two each 350101AL, 350467AL and 350543C
350467AL	18558	Feed Driving Flange Set Screw
270021	18557	" " " " Rock Shaft with two 200394C
270022	18557	" " " " " " Center (2)
201254C	18557	" " " " " " Set Screw (2)
270013	18557	Feed Lifting Connection
270014	18557	" " " " 270013 with 270016
270015	18557	" " " " Crank with 200040E
200040E	18557	" " " " " " Pinch Screw
200545C	18557	" " " " " " Hinge Screw
201522E	18557	" " " " " " Nut
270016	18557	" " " " " " Needle Bearing
271102	18558	" " " " Eccentric with 200382C and 201220C
201220C	18558	Feed Lifting Eccentric Position Screw
200382C	18558	" " " " " " Set Screw
270024	18557	" " " " Rock Shaft with 52267
270022	18557	" " " " " " Center (2)
201254C	18557	" " " " " " Set Screw (2)
267042	18561	" " " " " " Regulating Crank with 200382C (2)
200382C	18561	" " " " " " Set Screw
275024	18561	" " " " " " Handle
200363AL	18561	" " " " " " Set Screw
275025	18561	" " " " " " Link
200296E	18561	" " " " " " Hinge Screw (2)
275026	18561	" " " " " " Shaft (lower) with 200363AL
275027	18561	" " " " " " (upper) with 200095D and 200363AL
200095D	18561	Feed Regulating Shaft (upper) Cap Screw
203244	18561	" " " " " " Collar with two 200393C (3)
200393C	18561	Feed Regulating Shaft Collar Set Screw
267048	18561	" " " " " " Connection
200363AL	18561	" " " " " " Set Screw
275013	18561	" " " " " " Spring
200278H	18561	" " " " " " Screw
275014	18560	Knee Lifter Lifting Link
270285	18562	" " " " " " Connection
200363AL	18562	" " " " " " " " Set Screw
275042	18562	" " " " " " Rod
270048	18562	" " " " " " Connection
200434C	18562	" " " " " " " " Set Screw
275028	18562	" " " " " " Rock Shaft with 200363AL and 200434C
275041	18560	Needle Bar with 200125F, 200175D and 240039
*267088	18560	" " " " " " Bushing (lower)
*267089	18560	" " " " " " (upper)
267090	18560	" " " " " " Connecting Link
267091	18560	" " " " " " " 267090 with two 267093

From the Library of: Diameter Needs Co.

PARTS FOR MACHINE No. 402w100

No.	Plate	Name
267095	18560	Needle Bar Connecting Link Guide Block
200065C	18560	" " " " " "
		Screw (2)
275022	18560	Needle Bar Connecting Link Hinge Stud with 222598 and 270161
222598	18560	Needle Bar Connecting Link Hinge Stud Oil Packing (wick)
200374C	18556	Needle Bar Connecting Link Hinge Stud Set Screw
267093	18560	Needle Bar Connecting Link Needle Bearing
270267	18560	" " " " Thrust Washer
267102	18560	" " " " Stud with 200072C and 202277
202277	18560	Needle Bar Connecting Stud Oil Packing (wick)
200072C	18560	Needle Bar Connecting Stud Pinch Screw
*270268	18556	" " Crank with two 200374C
200333C	18556	" " " Position Screw
200362C	18556	" " " " Check Screw
267097	18560	Needle Bar Oiling Felt
267098	18560	" " " " Clamp Plate
201334H	18560	" " " " " " Screw (2)
267099	18560	" " " Wick
*267100	18560	" " Rock Frame
267101	18560	" " " " 267100 with 267088 and 267089
350522XC	18560	Needle Bar Rock Frame Cap Screw
350523XC	18560	" " " " " " Adjusting Screw
267104	18560	Needle Bar Rock Frame Driving Arm with 200029E and 200054E
200029E	18560	Needle Bar Rock Frame Driving Arm Pinch Screw
200605E	18560	Needle Bar Rock Frame Driving Arm Position Screw
268064	18556	Needle Bar Rock Frame Driving Eccentric
267105	18556	" " " " " " Adjusting Disc
268066	18556	Needle Bar Rock Frame Driving Eccentric Adjusting Disc Spring
268067	18556	Needle Bar Rock Frame Driving Eccentric Adjusting Disc Spring Collar with two 200382C
200382C	18556	Needle Bar Rock Frame Driving Eccentric Adjusting Disc Spring Collar Set Screw
267106	18556	Needle Bar Rock Frame Driving Eccentric Connection
267107	18556	Needle Bar Rock Frame Driving Eccentric Connection 267106 with 268063 and 270653
267034	18560	Needle Bar Rock Frame Driving Eccentric Connection Hinge Stud
270653	18556	Needle Bar Rock Frame Driving Eccentric Connection Hinge Stud Needle Bearing
200054E	18560	Needle Bar Rock Frame Driving Eccentric Connection Hinge Stud Pinch Screw

PARTS FOR MACHINE No. 402w100

No.	Plate	Name
268063	18556	Needle Bar Rock Frame Driving Eccentric Connection Needle Bearing
350543C	18556	Needle Bar Rock Frame Driving Eccentric Friction Adjusting Screw
350101AL	18556	Needle Bar Rock Frame Driving Eccentric Friction Adjusting Screw Set Screw
275015	18556	Needle Bar Rock Frame Driving Eccentric Thrust Collar
267147	18556	Needle Bar Rock Frame Driving Flange with two each 350101AL, 350467AL and 350543C
350467AL	18556	Needle Bar Rock Frame Driving Flange Set Screw
267109	18560	Needle Bar Rock Frame Guide Block (2)
200078H	18560	" " " " " " Screw (2)
268071	18560	Needle Bar Rock Frame Needle Bearing (back)
267110	18560	Needle Bar Rock Frame Needle Bearing (front)
235635	18560	Needle Bar Rock Frame Thrust Washer (2)
240039	18560	" " Thread Guide
200175D	18560	" " " " Screw
200125F	18560	" Set Screw
267112	18560	Presser Bar with 200074F
270270	18560	" " Bushing
270282	18560	" " Lifter
350442C	18560	" " " Hinge Screw
275016	18560	" " Position Guide with 201215D and 350411C
350411C	18560	Presser Bar Position Guide Pinch Screw
270064	18562	" " Spring
350538C	18562	" " " Screw (pressure regulating)
350521XC	18562	Presser Bar Spring Screw Stud
202090	18564	" Foot Hinge Pin
203013	18564	" " Plate
200074F	18560	" " Screw
215911	18564	" " Shank
229882	18564	Presser Foot (hinged) complete, Nos. 202090, 203013 and 215911
275017	18563	Rotary Take-up (large)
270161	18560	" " " Position Pin
401D	18563	" " " Screw (2)
270146	18327	" " (small) with 270147 and 350418C
270273	18327	Rotary Take-up (small) Driving Shaft
270032	18327	" " " " " Ball Bearing (2)
270069	18327	Rotary Take-up (small) Driving Shaft Connection Belt
270072	18327	Rotary Take-up (small) Driving Shaft Pulley with two 200382C
200382C	18327	Rotary Take-up (small) Driving Shaft Pulley Set Screw
350418C	18327	Rotary Take-up (small) Set Screw
270147	18327	" " " Thread Cast-off Pin
270148	18563	" " " Guard

ACCESSORIES

No.	Plate	Name
50190W	18562	Attachment Thumb Screw
25878	18441	Guide
270010	18559	Rotating Hook Bobbin (2)
270155	18558	" " Oil Reservoir Oil Gauge
228476	18441	Screw Driver (Bobbin Case)
135X25	-----	Needles, six, size 16
228479	18333	Drip Pan with four 3/4 in. wire nails
12361	18441	Machine Hinge Connection (2)
41400	18441	" Rest Pin (wood)
228493	-----	Oiler 120342 filled with oil
120342	18441	" (copper plated) with 120343
120343	18441	" Spout (3-1/2 in. long)
259477	18441	Screw Driver, 5 in. long

BOBBIN WINDER

(SWINGING AUTOMATIC, RIGHT HAND)

FOR "V" BELT DRIVE

259428	18312	Brake (leather)
259429	18312	" Clamp
200113F	18312	" " Screw
225453	18312	Frame with 202277 and 259660
225454	18312	" Hinge Pin
202277	18312	" Oil Packing (wick)
259660	18312	" " Well Washer
225455	18312	" Spring
225456	18312	" " Plunger
259461	18312	Pulley with 200380C
200380C	18312	" Set Screw
225381	18312	Spindle
225444	18312	Stop Latch
200056E	18312	" " Screw
225458	18312	" " Thumb Lever
225459	18312	" " " " Hinge Stud
225459	18312	" " " " Joint Stud
202478	18312	" " Trip Lever
200299H	18312	" " " " Hinge Screw
225461	18312	Tension Bracket with 201499H
200082D	18312	" " Screw
228026	18312	" " " Washer
2102	18312	" Disc
13710	18312	" Spring
201499H	18312	" Stud
201572H	18312	" " Thumb Nut

ACCESSORIES

No.	Plate	Name
225462	18312	Bobbin Winder Tension Bracket complete, Nos. 13710, 201572H, 225461 and two 2102
259662	18312	Bobbin Winder and Tension Bracket Base
259462	18312	Universal Bobbin Winder complete, Nos. 200056E, 200082D, 200113F, 200299H, 202478, 225381, 225444, 225453 to 225456, 225458, 225462, 228026, 259428, 259429, 259461, 259662, two each 225459 and wood screws 3/4 in., No. 12, R. H. B.

KNEE LIFTER

228359	18333	Rock Lever with two 350231C
228486	18333	" " Bracket with 200347C and three wood screws 7/8 in., No. 12
228361	18333	Rock Lever Bracket 228486 with 228359, 228363, 228367, 228386 and 228455
228370	18333	Rock Lever Extension with 200529C
350231C	18333	" " " Set Screw
228363	18333	" " Hinge Pin
228364	18333	" " Knee Plate with 350231C
228388	18333	" " " " Arm
350231C	18333	" " " " Set Screw
350231C	18333	" " " " Set Screw
228455	18333	" " Position Spring
228365	18333	" " Rod
200529C	18333	" " " Set Screw
228386	18333	" " Spring
228367	18333	" " Stop Stud
200347C	18333	" " " " Set Screw
228371	18333	Knee Lifter Rock Lever complete, Nos. 228361, 228364, 228365, 228370 and 228388

(Other Knee Lifter parts are listed with parts of machine head)

BELT GUARD

270197	18442	Belt Guard with two 200362C
270198	18442	" " Bracket
350328H	18442	" " " Screw
200362C	18442	" " Set Screw
270199	18442	Belt Guard complete, Nos. 270197, 270198 and two 350328H

BOBBIN HOLDER

No.	Plate	Name
225434	18441	Bobbin Holder

BOBBIN WINDER

(SWINGING AUTOMATIC, RIGHT HAND)

FOR 5/16 INCH ROUND BELT DRIVE

Note: Same as 259462 "V" belt Bobbin Winder with the following exceptions.

225368	18312	Pulley with 200380C
259430	18312	Bobbin Winder and Tension Bracket Base
259431	18312	Universal Bobbin Winder complete, Nos. 200056E, 200082D, 200113F, 200299H, 202478, 225368, 225381, 225444, 225453 to 225456, 225458, 225462, 228026, 259428 to 259430, two each 225459 and wood screws 3/4 in., No. 12, R. H. B.

FINGER GUARD

259502	18441	Finger Guard
--------	-------	--------------

SPOOL PIN

228394	18441	Spool Pin
--------	-------	-----------

THREAD UNWINDER

No.	Plate	Name
228692	18362	Spool Pin
201528H	18362	" " Nut
228693	18362	" " Washer
225257	18362	" Rest (for two spools) (flat) with 201018C, two each 201528H, 228692 and 228693
150203	18362	Spool Rest Cushion (felt)
225388	18362	" " Rod
200383C	18362	" " " Set Screw
201018C	18362	" " " Set Screw
259658	18362	" Stand with 200383C
225391	18362	Thread Guide
201696H	18362	" " Lock Nut
225326	18362	" " Position Cup
225324	18362	" " Rod with 208AL and 225322
208AL	18362	" " " Screw
225322	18362	" " " Washer
225258	18362	Thread Unwinder (for two spools) complete, Nos. 201696H, 225257, 225324, 225326, 225388, 259658, two each 150203, 225391 and three wood screws 7/8 in., No. 12

MISCELLANEOUS PARTS

USED IN CONJUNCTION WITH THREAD UNWINDER

259370	18362	Spool Pin
259378	18362	" " Arm with 217E and 259379
232896	18362	" " " Bracket with two 448AL
448AL	18362	" " " " Set Screw
448AL	18362	" " " " Set Screw
259371	18362	" " Cap (bakelite)
1010F	18362	" " " Hinge Screw
259379	18362	" " Retaining Spring
217E	18362	" " " " Screw
259372	18362	" " Washer
259373	18362	Spool Pin complete, Nos. 1010F and 259370 to 259372
60913	18362	Spool Weight with 60914
60914	18362	" " Center Pin
225377	18362	" Wire, for small spools
27739	18362	Thread Cone (wood)
225390	18362	" " Holder

NUMERICAL LIST OF PARTS

SINGER Needles should be used
in SINGER Machines.
These Needles and their Containers
are marked with the
Company's Trade Mark "SIMANCO. **" 1

Needles in Containers marked
"FOR SINGER MACHINES"
are NOT **SINGER** made needles. 2

No.	Plate	Name
208AL	18362	Thread Unwinder Thread Guide Rod Screw, for 225324
217E	18362	Thread Unwinder Spool Pin Retaining Spring Screw, for 259378
401D	18563	Rotary Take-up (large) Screw
446C	18563	Thread Take-up Spring Regulator Set Screw
448AL	18362	" Unwinder Spool Pin Arm Bracket Set Screw, for 232896
448AL	18362	Thread Unwinder Spool Pin Arm Set Screw, for 232896
591F	18559	Rotating Hook Bobbin Case Tension Spring Regulating Screw, for 275032
592E	18559	Rotating Hook Bobbin Case Latch Stop Screw, for 275034
691F	18564	Throat Plate Screw
1010F	18362	Thread Unwinder Spool Pin Cap Hinge Screw, for 259373
1053E	18559	Rotating Hook Thread Guard Screw, for 270869
1253AL	18559	Rotating Hook Set Screw, for 270868
1367E	18559	" " Section Screw, for 275029
1380E	18559	" " Bobbin Case Tension Spring Screw, for 275032
1560C	18563	Tension Thumb Nut, for 270279
2102	18312	Bobbin Winder Tension Disc, for 225462
2102	18563	Tension Disc, for 270279
2974	18559	Rotating Hook Bobbin Case Latch Lever Fulcrum Pin, for 40393
2975	18559	Rotating Hook Bobbin Case Latch Spring, for 275034
12361	18441	Machine Hinge Connection
13710	18312	Bobbin Winder Tension Spring, for 225462
13710	18563	Tension Spring, for 270279
25878	18441	Guide
27739	18362	Thread Unwinder Thread Cone (wood)
32572	18563	Tension Releasing Disc, for 270279
40392	18559	Rotating Hook Bobbin Case Latch, for 40393
40393	18559	" " " " Hinge Nos. 2974, 40392 and 125320, for 275034
40394	18559	Rotating Hook Bobbin Case Tension Spring, for 275032
41400	18441	Machine Rest Pin (wood)
50117E	18564	Feed Dog Screw
50190W	18562	Attachment Thumb Screw
52018	18559	Rotating Hook Bobbin Case Holder Position Bracket
52082	18563	Thread Take-up Spring, for 270279
52266	18557	Feed Bar Slide Block, for 52267

From the library of: Diamond Needle Corp

No.	Plate	Name
52267	18557	Feed Bar Slide Block 52266 with 125060, for 270024
60913	18362	Thread Unwinder Spool Weight with 60914
60914	18362	" " " " Center Pin, for 60913
120342	18441	Oiler (copper plated) with 120343, for 228493
120343	18441	" Spout (3-1/2 in. long), for 120342
*125060	18557	Feed Bar Slide Block Stud, for 52267
125320	18559	Rotating Hook Bobbin Case Latch Lever, for 40393
143030	18557	Feed Bar
143301	18559	Rotating Hook Oil Wick (felt), for 270868
143349	18558	" " Shaft Oil Filter Wick Holder, for 270176
150203	18362	Thread Unwinder Spool Rest Cushion (felt), for 225258
200004E	18562	Arm Screw
200029E	18560	Needle Bar Rock Frame Driving Arm Pinch Screw, for 267104
200040E	18557	Feed Driving Connection Crank Pinch Screw, for 275040
200040E	18557	Feed Lifting Connection Crank Pinch Screw, for 270015
200041X	18562	Arm Cover Plate (back) Screw
200041X	18562	Rotating Hook Oil Reservoir Cover Screw
200054E	18560	Needle Bar Rock Frame Driving Eccentric Connection Hinge Stud Pinch Screw, for 267104
200056E	18312	Bobbin Winder Stop Latch Screw, for 259431 and 259462
200065C	18560	Needle Bar Connecting Link Guide Block Screw
200070C	18558	Rotating Hook Driving Shaft Connection Belt Pulley Set Screw, for 270169
200072C	18560	Needle Bar Connecting Stud Pinch Screw, for 267102
200074F	18560	Presser Foot Screw, for 267112
200077D	18559	Rotating Hook Bobbin Case Holder Position Bracket Screw
200078H	18560	Needle Bar Rock Frame Guide Block Screw
200082D	18312	Bobbin Winder Tension Bracket Screw, for 259431 and 259462
200095D	18561	Feed Regulating Shaft (upper) Cap Screw, for 275027
200113F	18312	Bobbin Winder Brake Clamp Screw, for 259431 and 259462
200125F	18560	Needle Set Screw, for 275041
200161H	18562	Arm Cover Plate (side) Screw
200175D	18560	Needle Bar Thread Guide Screw, for 275041
200278H	18561	Feed Regulating Shaft Spring Screw
200296E	18561	" " Link Hinge Screw
200299H	18312	Bobbin Winder Stop Latch Trip Lever Hinge Screw, for 259431 and 259462
200333C	18556	Needle Bar Crank Position Screw, for 275002
200346C	18558	Rotating Hook Driving Shaft Bushing Set Screw
200346C	18558	Rotating Hook Shaft Bushing Set Screw

No.	Plate	Name
200347C	18333	Knee Lifter Rock Lever Stop Stud Set Screw, for 228486
200351H	18563	Thread Retainer Set Screw
200362C	18442	Belt Guard Set Screw, for 270197
200362C	18556	Needle Bar Crank Position Screw Check Screw, for 275002
200363AL	18556	Arm Shaft Connection Belt Pulley Set Screw, for 270168
200363AI	18561	Feed Regulating Handle Set Screw, for 275027
200363AL	18561	" " Shaft Connection Set Screw, for 275026
200363AL	18562	Knee Lifter Lifting Link Connection Set Screw, for 275028
200374C	18556	Needle Bar Connecting Link Hinge Stud Set Screw, for 270268
200377C	18563	Tension Stud Set Screw, for 270281
200380C	18312	Bobbin Winder Pulley Set Screw, for 225368 and 259461
200382C	18558	Feed Driving Eccentric Adjusting Disc Spring Collar Set Screw, for 268067
200382C	18558	Feed Lifting Eccentric Set Screw, for 271102
200382C	18561	" Regulating Crank Set Screw, for 267042
200382C	18556	Needle Bar Rock Frame Driving Eccentric Adjusting Disc Spring Collar Set Screw, for 268067
200382C	18327	Rotary Take-up (small) Driving Shaft Pulley Set Screw, for 270072
200382C	18558	Rotating Hook Driving Shaft Gear Set Screw, for 270035
200383C	18362	Thread Unwinder Spool Rest Rod Set Screw, for 259658
200393C	18561	Feed Regulating Shaft Collar Set Screw, for 203244
200394C	18557	Feed Bar Center Set Screw, for 270021
200434C	18562	Knee Lifter Lifting Rod Connection Set Screw, for 275028
200529C	18333	Knee Lifter Rock Lever Rod Set Screw, for 228370
200545C	18557	Feed Driving Connection Hinge Screw
200545C	18557	" Lifting Connection Hinge Screw
200567H	18563	Thread Severing Finger Screw
200605E	18560	Needle Bar Rock Frame Driving Arm Position Screw
201018C	18362	Thread Unwinder Spool Rest Set Screw, for 225257
201215D	18558	Rotating Hook Shaft End Bearing Screw, for 270166
201215D	18560	Thread Pull-off Clamping Screw, for 275016
201220C	18558	Feed Lifting Eccentric Position Screw, for 271102
201220C	18558	Rotating Hook Driving Shaft Gear Position Screw, for 270035
201254C	18557	Feed Driving Rock Shaft Center Set Screw
201254C	18557	" Lifting Rock Shaft Center Set Screw
201334H	18560	Needle Bar Oiling Felt Clamp Plate Screw
201346C	18556	Balance Wheel Set Screw, for 270189

No.	Plate	Name
201499H	18312	Bobbin Winder Tension Stud, for 225461
201522E	18557	Feed Driving Connection Hinge Screw Nut
201522E	18557	" Lifting Connection Hinge Screw Nut
201528H	18362	Thread Unwinder Spool Pin Nut, for 225257
201572H	18312	Bobbin Winder Tension Stud Thumb Nut, for 225462
201696H	18362	Thread Unwinder Thread Guide Lock Nut, for 225258
202005	18562	Arm Screw Washer
202090	18564	Presser Foot Hinge Pin, for 229882
202277	18312	Bobbin Winder Frame Oil Packing (wick), for 225453
202277	18560	Needle Bar Connecting Stud Oil Packing (wick), for 267102
202423	18558	Rotating Hook Shaft Oil Filter Wick, for 270176
202478	18312	Bobbin Winder Stop Latch Trip Lever, for 259431 and 259462
203013	18564	Presser Foot Plate, for 229882
203244	18561	Feed Regulating Shaft Collar with two 200393C
204235	18562	Arm Position Pin
214206	18556	" Shaft Connection Belt Pulley Spring Flange, for 270168
214206	18558	Rotating Hook Driving Shaft Connection Belt Pulley Spring Flange, for 270169
215911	18564	Presser Foot Shank, for 229882
222598	18560	Needle Bar Connecting Link Hinge Stud Oil Packing (wick), for 275022
225257	18362	Thread Unwinder Spool Rest (for two spools) (flat) with 201018C, two each 201528H, 228692 and 228693, for 225258
225258	18362	Thread Unwinder (for two spools) complete, Nos. 201696H, 225257, 225324, 225326, 225388, 259658, two each 150203, 225391 and three wood screws 7/8 in., No. 12
225322	18362	Thread Unwinder Thread Guide Rod Washer, for 225324
225324	18362	Thread Unwinder Thread Guide Rod with 208AL and 225322, for 225258
225326	18362	Thread Unwinder Thread Guide Position Cup, for 225258
225368	18312	Bobbin Winder Pulley with 200380C, for 259431, used in place of 259461
225377	18362	Thread Unwinder Spool Wire, for small spools
225381	18312	Bobbin Winder Spindle, for 259431 and 259462
225388	18362	Thread Unwinder Spool Rest Rod, for 225258
225390	18362	" " Thread Cone Holder
225391	18362	" " Guide, for 225258
225434	18441	Bobbin Holder
225444	18312	" Winder Stop Latch, for 259431 and 259462
		Nos. 225453 to 259456, for 259431 and 259462
225453	18312	Bobbin Winder Frame with 202277 and 259660
225454	18312	" " Hinge Pin
225455	18312	" " Spring
225456	18312	" " Plunger
225458	18312	" " Stop Latch Thumb Lever, for 259431 and 259462

No.	Plate	Name
225459	18312	Bobbin Winder Stop Latch Thumb Lever Hinge Stud, for 259431 and 259462
225459	18312	Bobbin Winder Stop Latch Thumb Lever Joint Stud, for 259431 and 259462
225461	18312	Bobbin Winder Tension Bracket with 201499H, for 225462
225462	18312	Bobbin Winder Tension Bracket complete, Nos. 13710, 201572H, 225461 and two 2102, for 259431 and 259462
228026	18312	Bobbin Winder Tension Bracket Screw Washer, for 259431 and 259462
228359	18333	Knee Lifter Rock Lever with two 350231C, for 228361
228361	18333	Knee Lifter Rock Lever Bracket 228486 with 228359, 228363, 228367, 228386 and 228455, for 228371
228363	18333	Knee Lifter Rock Lever Hinge Pin, for 228361
228364	18333	" " " " Knee Plate with 350231C, for 228371
228365	18333	Knee Lifter Rock Lever Rod, for 228371
228367	18333	" " " " Stop Stud, for 228361
228370	18333	" " " " Extension with 200529C, for 228371
228371	18333	Knee Lifter Rock Lever complete, Nos. 228361, 228364, 228365, 228370 and 228388
228386	18333	Knee Lifter Rock Lever Spring, for 228361
228388	18333	" " " " Knee Plate Arm, for 228371
228394	18441	Spool Pin
228455	18333	Knee Lifter Rock Lever Position Spring, for 228361
228476	18441	Screw Driver (Bobbin Case)
228479	18333	Drip Pan with four 3/4 in. wire nails
228486	18333	Knee Lifter Rock Lever Bracket with 200347C and three wood screws 7/8 in., No. 12, for 228361
228493	-----	Oiler 120342 filled with oil
228692	18362	Thread Unwinder Spool Pin, for 225257
228693	18362	" " " " Washer, for 225257
229882	18564	Presser Foot (hinged) complete, Nos. 202090, 203013 and 215911
232896	18362	Thread Unwinder Spool Pin Arm Bracket with two 448AL
235635	18560	Needle Bar Rock Frame Thrust Washer
235706	18557	Feed Bar Oiling Wick, for 270139
236245	18563	Thread Guide (lower)
240039	18560	Needle Bar Thread Guide, for 275041
		Nos. 259370 to 259372, for 259373
259370	18362	Thread Unwinder Spool Pin
259371	18362	" " " " Cap (bakelite)
259372	18362	" " " " Washer
259373	18362	Thread Unwinder Spool Pin complete, Nos. 1010F and 259370 to 259372
259378	18362	Thread Unwinder Spool Pin Arm with 217E and 259379

NUMERICAL LIST OF PARTS

No.	Plate	Name
259379	18362	Thread Unwinder Spool Pin Retaining Spring, for 259378
		Nos. 259428 to 259430, for 259431
259428	18312	Bobbin Winder Brake (leather), also for 259462
259429	18312	Bobbin Winder Brake Clamp, also for 259462
259430	18312	" " and Tension Bracket Base, used in place of 259662
259431	18312	Universal Bobbin Winder complete, Nos. 200056E, 200082D, 200113F, 200299H, 202478, 225368, 225381, 225444, 225453 to 225456, 225458, 225462, 228026, 259428 to 259430, two each 225459 and wood screws 3/4 in., No. 12, R. H. B., used in place of 259462
259461	18312	Bobbin Winder Pulley with 200380C, for 259462
259462	18312	Universal Bobbin Winder complete, (for "V" belt drives), Nos. 200056E, 200082D, 200113F, 200299H, 202478, 225381, 225444, 225453 to 225456, 225458, 225462, 228026, 259428, 259429, 259461, 259662, two each 225459 and wood screws 3/4 in., No. 12, R. H. B.
259477	18441	Screw Driver, 5 in. long
259502	18441	Finger Guard
259658	18362	Thread Unwinder Spool Stand with 200383C, for 225258
259660	18312	Bobbin Winder Frame Oil Well Washer, for 225453
259662	18312	Bobbin Winder and Tension Bracket Base, for 259462
267003	18562	Arm Cover Plate (side)
267004	18562	" Oil Stop Screw Gasket
267034	18560	Needle Bar Rock Frame Driving Eccentric Connection Hinge Stud
267042	18561	Feed Regulating Crank with 200382C
267048	18561	" " Shaft Connection
*267088	18560	Needle Bar Bushing (lower), for 267101
*267089	18560	" " " (upper), for 267101
267090	18560	" " Connecting Link, for 267091
267091	18560	" " " " 267090 with two 267093
267093	18560	Needle Bar Connecting Link Needle Bearing, for 267091
267095	18560	Needle Bar Connecting Link Guide Block
267097	18560	" " Oiling Felt
267098	18560	" " " " Clamp Plate
267099	18560	" " " " Wick
*267100	18560	" " Rock Frame, for 267101
267101	18560	" " " " 267100 with 267088 and 267089
267102	18560	Needle Bar Connecting Stud with 200072C and 202277

NUMERICAL LIST OF PARTS

No.	Plate	Name
267104	18560	Needle Bar Rock Frame Driving Arm with 200029E and 200054E
267105	18556	Needle Bar Rock Frame Driving Eccentric Adjusting Disc
267106	18556	Needle Bar Rock Frame Driving Eccentric Connection, for 267107
267107	18556	Needle Bar Rock Frame Driving Eccentric Connection 267106 with 268063 and 270653
267109	18560	Needle Bar Rock Frame Guide Block
267110	18560	" " " " Needle Bearing (front)
267112	18560	Presser Bar with 200074F
267147	18556	Needle Bar Rock Frame Driving Flange with two each 350101AL, 350467AL and 350543C
268063	18557	Feed Driving Connection Needle Bearing, for 275012
268063	18556	Needle Bar Rock Frame Driving Eccentric Connection Needle Bearing, for 267107
268064	18558	Feed Driving Eccentric
268064	18556	Needle Bar Rock Frame Driving Eccentric
268066	18558	Feed Driving Eccentric Adjusting Disc Spring
268066	18556	Needle Bar Rock Frame Driving Eccentric Adjusting Disc Spring
268067	18558	Feed Driving Eccentric Adjusting Disc Spring Collar with two 200382C
268067	18556	Needle Bar Rock Frame Driving Eccentric Adjusting Disc Spring Collar with two 200382C
268071	18560	Needle Bar Rock Frame Needle Bearing (back)
268258	18558	Rotating Hook Shaft Bushing Oil Packing (wick), for 270166
270002	18562	Arm Cover Plate (back)
270004	18556	" Shaft Ball Bearing (back), for 270171 and 270190
270005	18556	Arm Shaft Ball Bearing (front), for 275002
270009	18562	Bed Slide
270010	18559	Rotating Hook Bobbin
270012	18557	Feed Bar Center
270013	18557	" Lifting Connection, for 270014
270014	18557	" " " 270013 with 270016
270015	18557	" " " Crank with 200040E
270016	18557	" " " Needle Bearing, for 270014
270021	18557	Feed Driving Rock Shaft with two 200394C
270022	18557	" " " " Center
270022	18557	" Lifting Rock Shaft Center
270024	18557	" " " " with 52267
270032	18327	Rotary Take-up (small) Driving Shaft Ball Bearing
270032	18558	Rotating Hook Driving Shaft Ball Bearing
270035	18558	" " " " Gear (internal teeth) with 200382C and 201220C

No.	Plate	Name
270036	18558	Rotating Hook Driving Shaft Oil Lead Wire
270038	18562	" " Oil Reservoir Cover
270039	18562	" " " " Gasket
270044	18558	" " Shaft Thrust Washer, for 270166
270048	18562	Knee Lifter Lifting Rod Connection
270064	18562	Presser Bar Spring
270069	18327	Rotary Take-up (small) Driving Shaft Connection Belt
270072	18327	Rotary Take-up (small) Driving Shaft Pulley with two 200382C
270079	18560	Thread Pull-off
270080	18563	" Retainer
270096	18563	" Guide
270138	18557	Feed Bar Oiling Wick Holder, for 270139
270139	18557	" " " " 270138 with 235706
270146	18327	Rotary Take-up (small) with 270147 and 350418C
270147	18327	Rotary Take-up (small) Thread Cast-off Pin, for 270146
270148	18563	Rotary Take-up Guard
270150	18563	Thread Severing Finger
270151	18563	" " " Guard
270155	18558	Rotating Hook Oil Reservoir Oil Gauge
270156	18563	Thread Severing Finger Guard Hinge Screw Spring Washer
270161	18560	Rotary Take-up (large) Position Pin, for 275022
		Nos. 270162 to 270164, for 270166
270162	18558	Rotating Hook Shaft
270163	18558	" " " Bushing
270164	18558	" " " End Bearing
270166	18558	Rotating Hook Shaft Bushing complete, Nos. 268258, 270044, 270162 to 270164, 270176, 350498E and two 201215D
270168	18556	Arm Shaft Connection Belt Pulley and Rotary Take-up Driving Pulley with 200363AL, 350492C and three 214206
270169	18558	Rotating Hook Driving Shaft Connection Belt Pulley with 214206 and two 200070C
270170	18556	Balance Wheel (aluminum alloy casting) for "V" belt, (outside diam. of belt groove 2.9 in.) (rim diam. 4-1/2 in.) with 350540C and 350541C, for 270171
270171	18556	Balance Wheel 270170 with 270004
270176	18558	Rotating Hook Shaft Oil Filter complete, Nos. 143349 and 202423, for 270166
270189	18556	Balance Wheel (aluminum alloy casting) for 5/16" round belt, (diam. of belt groove 1-13/16 in.) (rim diam. 4 in.) with 201346C and 350107C, for 270190
270190	18556	Balance Wheel 270189 with 270004
270197	18442	Belt Guard with two 200362C, for 270199
270198	18442	" " Bracket, for 270199
270199	18442	Belt Guard complete, Nos. 270197, 270198 and two 350328H

No.	Plate	Name
270200	18558	Rotating Hook Driving Shaft Bushing Oil Packing (wick), for 271062
270267	18560	Needle Bar Connecting Link Thrust Washer
*270268	18556	" " Crank with two 200374C, for 275002
270270	18560	Presser Bar Bushing
270273	18327	Rotary Take-up (small) Driving Shaft
270278	18563	Tension Releasing Pin, for 270279
270279	18563	Tension complete, Nos. 1560C, 13710, 32572, 52082, 270278, 270281, 350457C and two 2102
270281	18563	Thread Take-up Spring Regulator with 200377C, for 270279
270282	18560	Presser Bar Lifter
270285	18562	Knee Lifter Lifting Link Connection
270653	18556	Needle Bar Rock Frame Driving Eccentric Connection Hinge Stud Needle Bearing, for 267107
270868	18559	Rotating Hook with 143301 and two 1253AL, for 270869
270869	18559	Rotating Hook 270868 with 270874XC and four 1053E, for 275029
270874XC	18559	Rotating Hook Thread Guard, for 270869
270876	18559	" " Section, for 275029
271032	18563	Thread Guide (upper)
271062	18558	Rotating Hook Driving Shaft Bushing with 270200
271102	18558	Feed Lifting Eccentric with 200382C and 201220C
*275001	-----	Arm
275002	18556	" Shaft 275023 with 200333C, 200362C, 270005, 270268 and 275015
275003	18556	Arm Shaft Connection Belt (reinforced neoprene)
275004	18563	Face Plate
275005	18564	Feed Dog, 40 needle hole, for 275018
275011	18557	" Driving Connection, for 275012
275012	18557	" " " 275011 with 268063
275013	18561	" Regulating Shaft Spring
275014	18560	Knee Lifter Lifting Link
275015	18556	Needle Bar Rock Frame Driving Eccentric Thrust Collar, for 275002
275016	18560	Presser Bar Position Guide with 201215D and 350411C
275017	18563	Rotary Take-up (large)
275018	18564	Throat Plate, for 275005
*275021	-----	Bed
275022	18560	Needle Bar Connecting Link Hinge Stud with 222598 and 270161
*275023	18556	Arm Shaft, for 275002
275024	18561	Feed Regulating Handle
275025	18561	" " Link
275026	18561	" " Shaft (lower) with 200363AL
275027	18561	" " " (upper) with 200095D and 200363AL
275028	18562	Knee Lifter Rock Shaft with 200363AL and 200434C

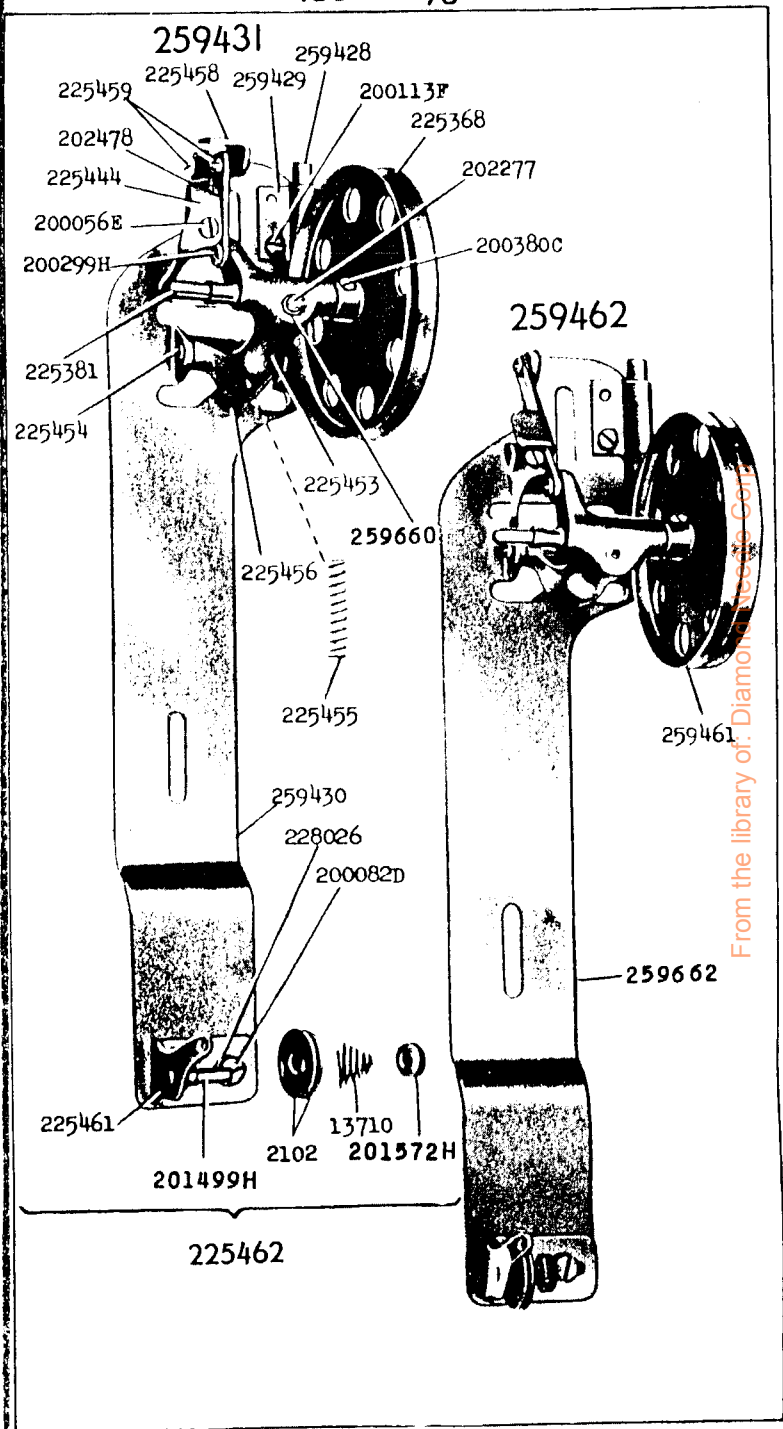
No.	Plate	Name
275029	18559	Rotating Hook 270869 with 270876, 275033 and three 1367E, for 275030
275030	18559	Rotating Hook 275029 with 275034
275031	18559	" " Bobbin Case, for 275032
275032	18559	" " " " 275031 with 591F, 1380E and 40394, for 275034
275033	18559	Rotating Hook Bobbin Case Holder (chromium plated), for 275029 and 275035
275034	18559	Rotating Hook Bobbin Case complete, Nos. 592E, 2975, 40393 and 275032, for 275030 and 275035
275035	18559	Rotating Hook Bobbin Case 275034 with 275033
275036	18558	Feed Driving Eccentric Adjusting Disc
275037	18558	Rotating Hook Driving Shaft
275040	18557	Feed Driving Connection Crank with 200040E
275041	18560	Needle Bar with 200125F, 200175D and 240039
275042	18562	Knee Lifter Lifting Rod
275043	18558	Feed Driving Flange with two each 350101AL, 350467AL and 350543C
350101AL	18558	Feed Driving Eccentric Friction Adjusting Screw Set Screw, for 275043
350101AL	18556	Needle Bar Rock Frame Driving Eccentric Friction Adjusting Screw Set Screw, for 267147
350107C	18556	Balance Wheel Position Screw, for 270189
350231C	18333	Knee Lifter Rock Lever Extension Set Screw, for 228359
350231C	18333	Knee Lifter Rock Lever Knee Plate Arm Set Screw, for 228359
350231C	18333	Knee Lifter Rock Lever Knee Plate Set Screw, for 228364
350328H	18442	Belt Guard Bracket Screw, for 270199
350411C	18560	Presser Bar Position Guide Pinch Screw, for 275016
350418C	18327	Rotary Take-up (small) Set Screw, for 270146
350442C	18560	Presser Bar Lifter Hinge Screw
350457C	18563	Tension Stud, for 270279
350467AL	18558	Feed Driving Flange Set Screw, for 275043
350467AL	18556	Needle Bar Rock Frame Driving Flange Set Screw, for 267147
350486XC	18563	Thread Severing Finger Guard Hinge Screw
350492C	18556	Arm Shaft Connection Belt Pulley Position Screw, for 270168
350498E	18558	Rotating Hook Shaft Oil Regulating Screw, for 270166
350503H	18563	Face Plate Screw
350503H	18563	Rotary Take-up Guard Screw
350503H	18563	Thread Guide Screw
350521XC	18562	Presser Bar Spring Screw Stud
350522XC	18560	Needle Bar Rock Frame Cap Screw
350523XC	18560	" " " " " " Adjusting Screw
350525X	18562	Arm Oil Stop Screw
350538C	18562	Presser Bar Spring Screw (pressure regulating)

No.	Plate	Name
350540C	18556	Balance Wheel Position Screw, for 270170
350541C	18556	" " Set Screw, for 270170
350543C	18558	Feed Driving Eccentric Friction Adjusting Screw, for 275043
350543C	18556	Needle Bar Rock Frame Driving Eccentric Friction Adjusting Screw, for 267147

18312 - 3/8

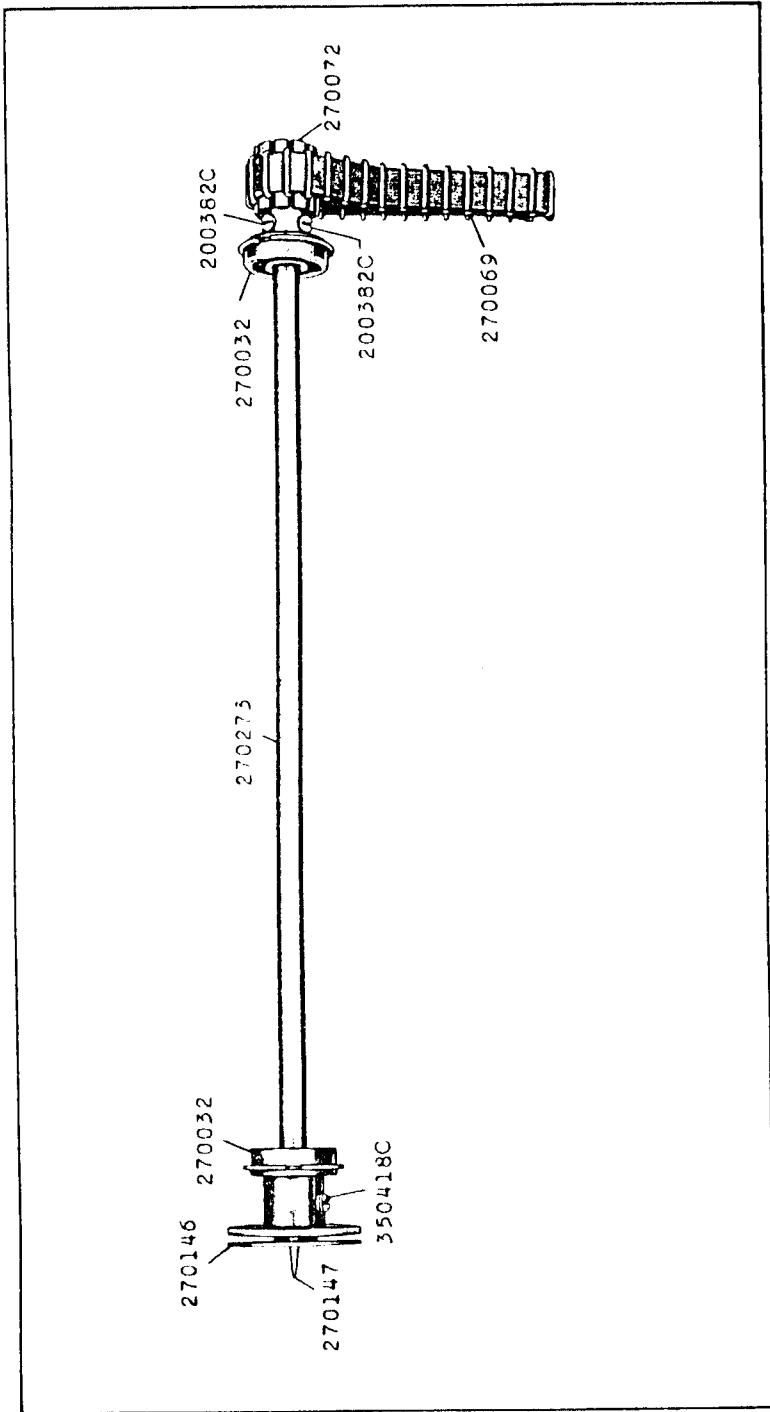
SINGER Needles should be used
in SINGER Machines.
These Needles and their Containers
are marked with the
Company's Trade Mark "SIMANCO.***" 1

Needles in Containers marked
"FOR SINGER MACHINES"
are NOT **SINGER** made needles. 2

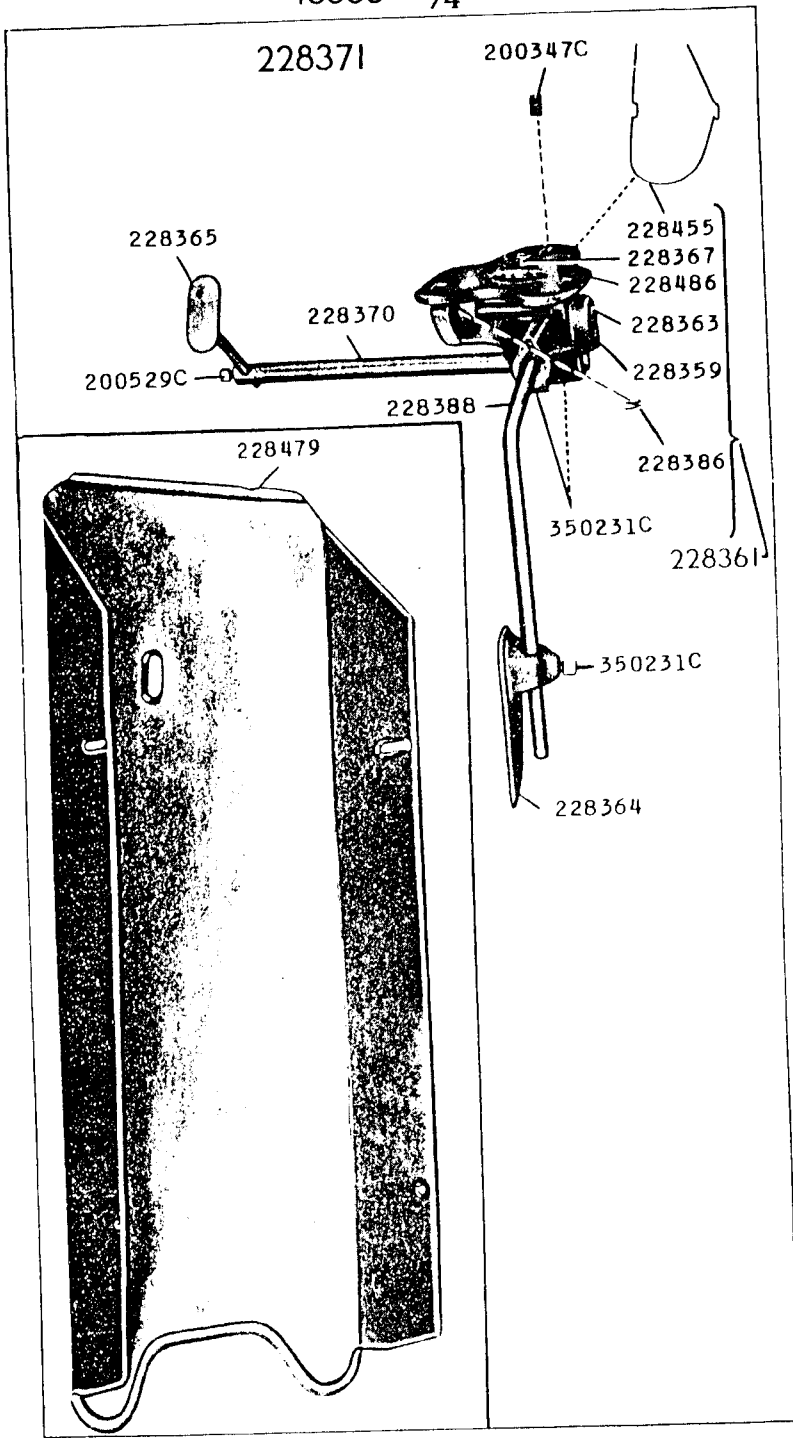


From the library of: Diamond Needle Co.

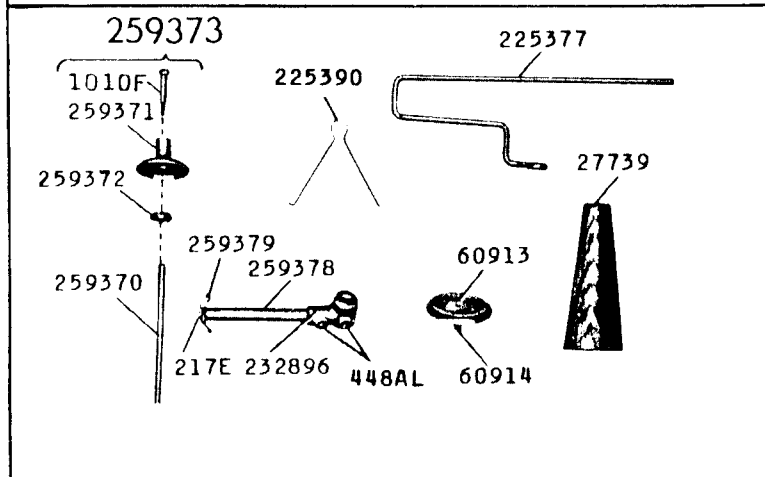
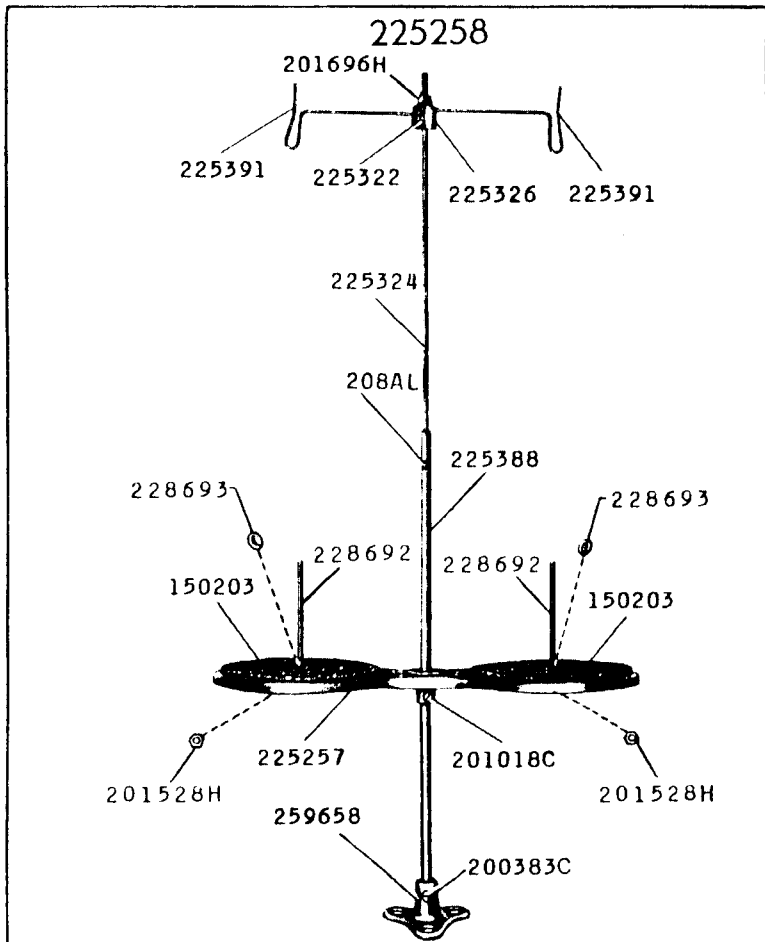
18327 - 3/8



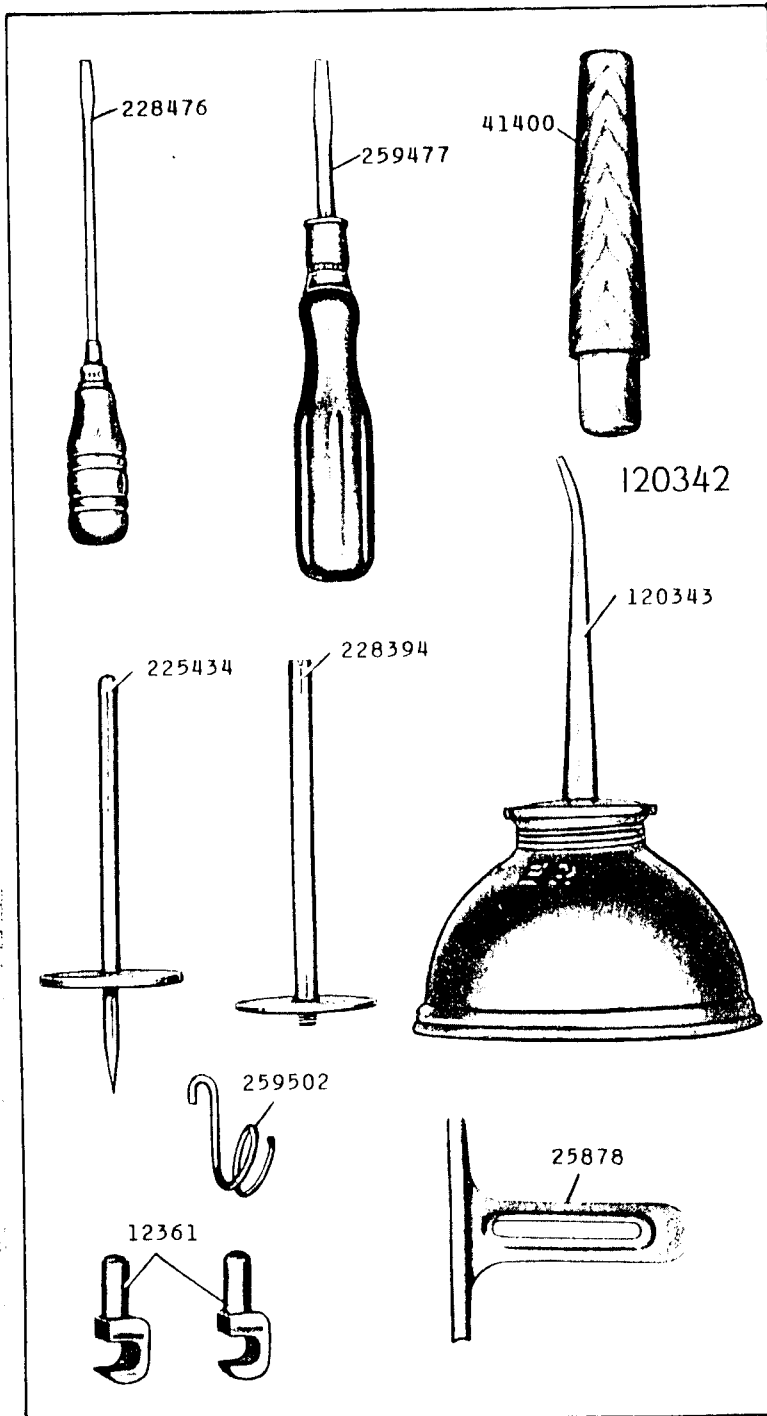
18333 - 1/4



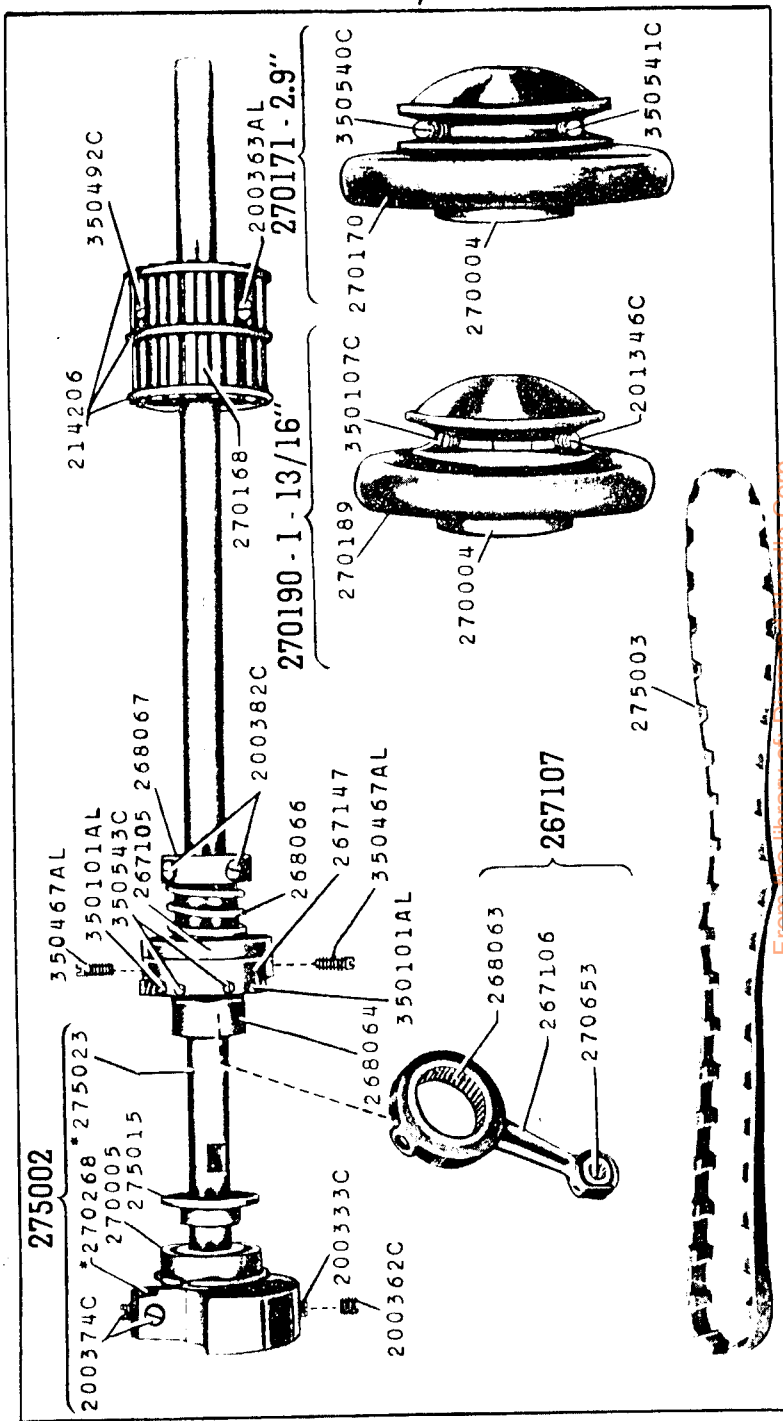
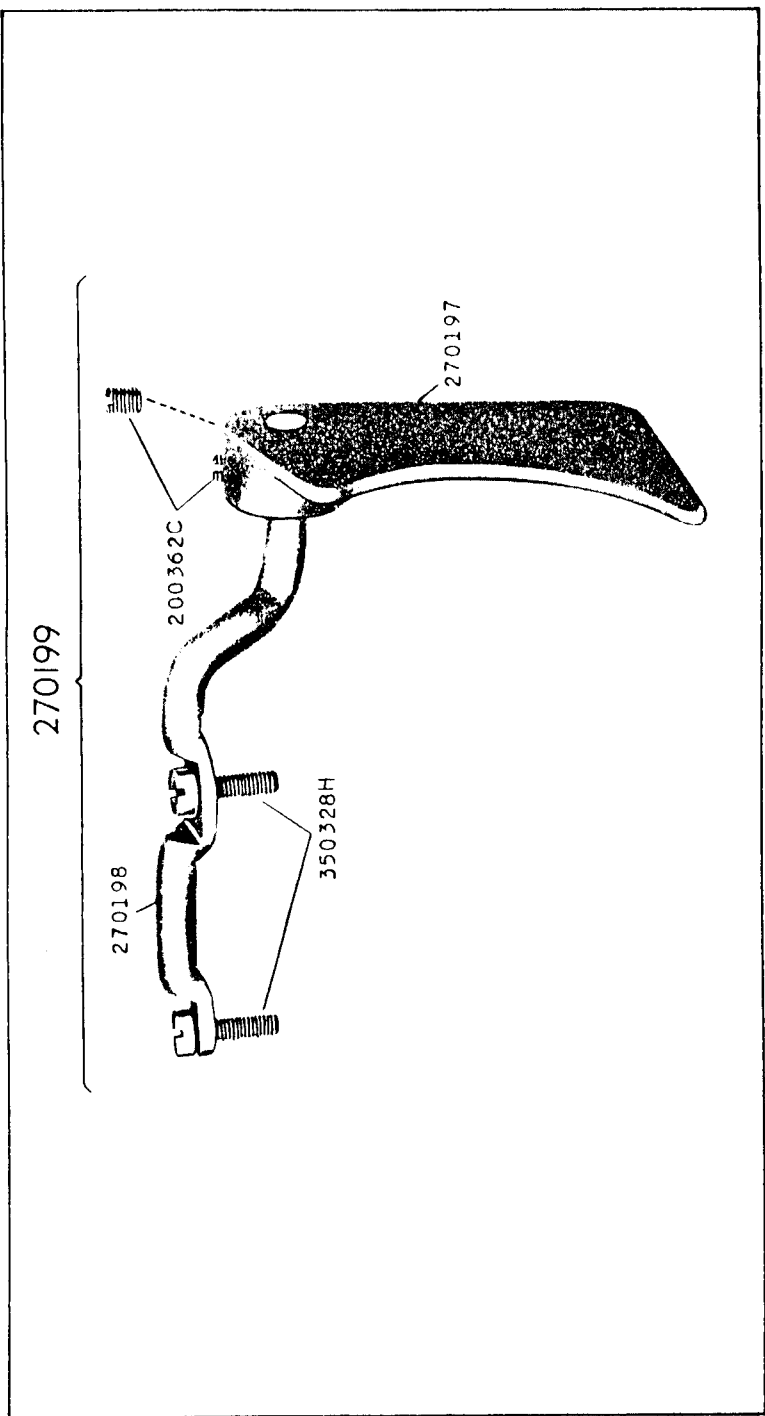
18362 - 1/6



18441 - 1/2



From the library of: Diamond Needle Corp



From the library of: Diamond Needle Corp

